

Product data sheet

Characteristics

8910DPA43V06

Contactor, Definite Purpose, 40A, 3 pole, 25 HP at 575 VAC, 3 phase, 440/480 VAC 50/60 Hz coil, open



Product availability: Stock - Normally stocked in distribution facility

Price*: 113.25 USD



Main

Product or component type	Definite Purpose Contactor
Line Rated Current	40 A
Poles description	3P
Pole contact composition	3 NO
Range of product	DPA

Complementary

Maximum Horse Power Rating	3 Hp 115 V AC, 1 phase 7.5 Hp 230 V AC, 1 phase 10 Hp 230 V AC, 3 phase 20 Hp 460 V AC, 3 phase 25 Hp 575 V AC, 3 phase
Locked rotor rated current	240 A 277 V AC 200 A 460 V AC 160 A 575 V AC
[Ue] rated operational voltage	600 V AC
[Uc] control circuit voltage	440 V AC 50 Hz 480 V AC 60 Hz
Phase	3 phase
Electrical connection	Quick connect terminals Box lugs

Environment

Product certifications	UL Recognized CSA
------------------------	----------------------

Ordering and shipping details

Category	21344 - 8910 DPA 4_(40 AMP)
Discount Schedule	CP1B
GTIN	00785901024484
Nbr. of units in pkg.	1
Package weight(Lbs)	16.32 Oz (462.664 g)
Returnability	Yes
Country of origin	CN

Packing Units

Unit Type of Package 1	PCE
Package 1 Height	3.20 In (8.128 cm)
Package 1 width	3.90 In (9.906 cm)
Package 1 Length	2.50 In (6.35 cm)

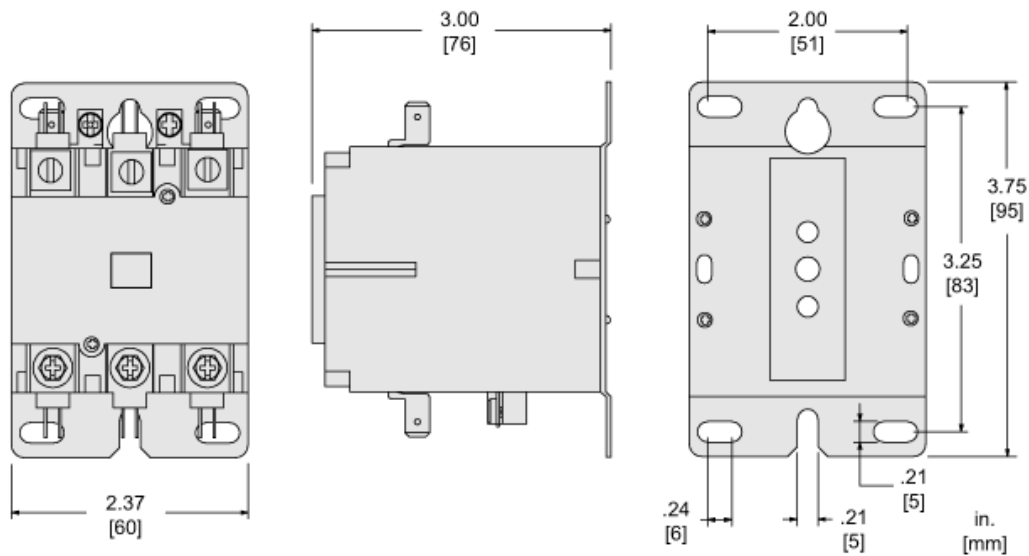
Offer Sustainability

REACH Regulation	REACH Declaration
EU RoHS Directive	Compliant EU RoHS Declaration
Mercury free	Yes
RoHS exemption information	Yes
China RoHS Regulation	China RoHS Declaration

Contractual warranty

Warranty	18 months
----------	-----------

Approximate Dimensions



Product Life Status : **Commercialised**